

dröm[®]
sauna steam spa



A WORLD OF WELLBEING

Dröm UK Ltd. Dröm House, Abbot Close, Byfleet, Surrey, KT14 7JN.

Tel: 01932 355 655 | Fax: 01932 355651

Email: info@dromuk.com | www.dromuk.com

WWW.DROMUK.COM

Wood-fired sauna stoves.

Imagine the inviting scents of wood and resin and the relaxing crackle of the fire. Then add the occasional sizzle of water on the stones and billowing clouds of steam that bathe the windows in mist and set the air shimmering with deep-penetrating waves of heat...

There's something special about a wood-fired sauna, and as we know how to appreciate sauna bathing in all its forms here at Tylö, we have a wide range of wood-fired sauna stoves for you to choose from as well. They all share the same high quality and unique heat-retaining construction that means you can linger a little longer in the sauna. At home, in the country, or on the shores of a tranquil lake you can enjoy the advantages of a wood-fired sauna in a class of its own.

Tylö leads the way in wood-fired technology.

There's much that speaks for a Tylö wood-fired sauna stove.

First of all, we are as uncompromising in our ambitions here as with all our other products. The high quality is immediately obvious from the weight and thickness of the steel. The materials are also the best possible: stainless steel, alu-zinc steel and sturdy structural steel.

Secondly we have developed a long list of technical features to increase your enjoyment both during and after your sauna. For example, the rear panel of the stove is protected by a baffle that directs the air flow to maximise the combustion effect and minimise wood consumption. Stoves also incorporate our patented Coanda heat-retention concept.

And last but not least, once you've bathed with a sauna stove from Tylö, you'll notice the biggest difference of all. Pure bliss!

Outstanding vaporisation. Tylö sauna stoves have large, deep stone compartments. This makes them a firm favourite among bathers who revel in the sizzling hot sensation of water sprinkled over heated sauna stones.

Save on wood – not on enjoyment.

Normally, stoking the fire just once is enough to heat the air from +20°C to the desired bathing temperature. Thanks to our patented Coanda technology, the stove retains its heat, so you can enjoy your sauna and even continue to sprinkle water on the sauna stones long after the fire has died down.

Large water tank. Tylö sauna stoves are also available with a stainless steel water tank. This fits safely inside the mantle of the stove and has a large opening for easier filling.

An extra touch of glass. All Tylö sauna stoves (except the K-007) have a hatch of Ceram special-grade glass, which can withstand temperatures of up to 800°C. The fire casts a warm glow through the glass, creating a wonderfully cosy atmosphere in the sauna.

All our wood-fired sauna stoves have an ash hatch, grate shuttle and optional rear/top flue connections. Most models are also available with the water tank on the left-hand side, or with twin tanks. (Prices on request.) Please see the page opposite for details of suitable sauna stove chimneys.



K-007 (Art. 6405 2000)
Compact model for small sauna rooms.



KL-12 (Art. 6405 1010)
With large glass hatch.

KL-12 V (Art. 6405 1011)
As above, with water tank on right-hand side.



KL-16 (Art. 6405 1020)
With glass hatch.



KL-20 (Art. 6405 1030)
With large glass hatch.

KL-20 V (Art. 6405 1031)
Water tank on right-hand side.

(Excl. sauna stones.)

To see more wood-fired sauna stoves, take a look at the Tylö website – www.tylo.com

Choose the right size stove for the job

The table below shows the optimum sauna stove heating outputs in relation to the volume of the sauna. To compensate for the effect of brick walls, add 3 cubic metres for every square metre of brick (or single-glazed glass) over 2 square metres in size. In log-cabin saunas with uninsulated timber walls, increase the volume by 25%. In borderline cases, always choose the larger of two possible sauna heaters.

Sauna stove model	Sauna volume cu.m.	Output kW	W x D x H mm	Water tank (litres)	Flue opening (dia. mm)	Distance from floor to bottom edge of rear flue	Weight without stones kg	Stone weight kg
K-007	3 – 7	7	330 x 430 x 600	–	104	410 mm	32	25 – 30
KL-12	5 – 10	12	410 x 500 x 660	–	104	450 mm	48	40 – 45
KL-12 V	5 – 10	12	575 x 500 x 660	25	104	450 mm	53	40 – 45
KL-16	9 – 16	15	435 x 490 x 710	–	104	505 mm	55	40 – 45
KL-20	8 – 20	18	480 x 500 x 780	–	104	513 mm	62	60 – 65
KL-20 R	8 – 20	18	480 x 500 x 780	–	104	513 mm	62	60 – 65
KL-20 V	8 – 17	18	645 x 500 x 780	28	104	513 mm	67	60 – 65

Sauna chimneys.

We offer complete, high-quality chimney kits specially developed for use with Tylö wood-fired sauna stoves. Chimney kits are based on an easy-to-assemble modular system.

Our modular chimney systems are used primarily with wood-fired sauna stoves in sauna rooms without an existing chimney, and for conversions and new constructions. The flues are manufactured in acid-resistant stainless steel, with high-grade ceramic insulation on the outside.

Sauna chimney kit Ø 100

(Art. no. 6505 3020)

Easy-to-assemble kit with 100 mm diameter flue suitable for Tylö wood-fired sauna stoves. Comprises a 1-metre uninsulated flue pipe, 2 x 1-metre insulated flue pipes, ceiling plate, storm collar and chimney cowl.

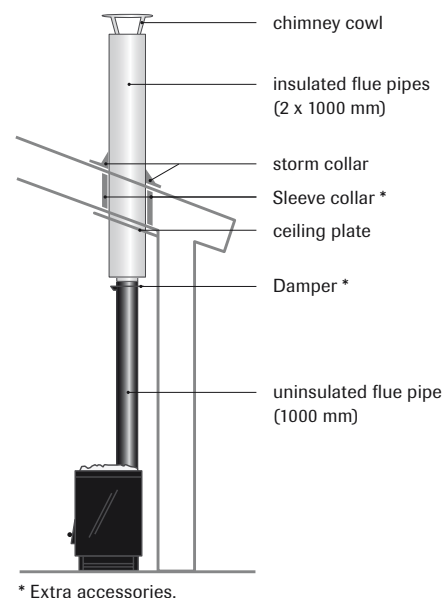
Insulated extension modules

100/1000 mm (Art. no. 6505 3021)

Insulated intermediate section, length 1000 mm. Ø 100 mm

100/500 mm (Art. no. 6505 3022)

Insulated intermediate section, length 500 mm. Ø 100 mm.



* Extra accessories.